



US00D463223S

(12) **United States Design Patent** (10) **Patent No.:** **US D463,223 S**  
**Bien** (45) **Date of Patent:** **\*\* Sep. 24, 2002**

(54) **PIZZA SERVER**

D396,613 S \* 8/1998 Cousins ..... D7/688

(76) Inventor: **Rebecca M. Bien**, 1893 Viking Cir.,  
Commerce Township, MI (US)  
49390-1577

\* cited by examiner

*Primary Examiner*—Terry A. Wallace  
(74) *Attorney, Agent, or Firm*—Ronald R. Kilponen

(\*\*) Term: **14 Years**

(57) **CLAIM**

(21) Appl. No.: **29/145,803**

I claim the ornamental design for the pizza server, as shown and described.

(22) Filed: **Jul. 30, 2001**

(51) **LOC (7) Cl.** ..... **07-02**

**DESCRIPTION**

(52) **U.S. Cl.** ..... **D7/696; D7/688**

FIG. 1 is a perspective view of the pizza server showing the new design;

(58) **Field of Search** ..... D7/688-697; 294/7,

FIG. 2 is a front view thereof;

294/8; 15/236.01, 236.05, 236.08

FIG. 3 is a back view thereof;

(56) **References Cited**

FIG. 4 is a side view thereof;

**U.S. PATENT DOCUMENTS**

FIG. 5 is a top view thereof;

D192,018 S \* 1/1962 McLeod ..... D7/688

FIG. 6 is a bottom view thereof; and,

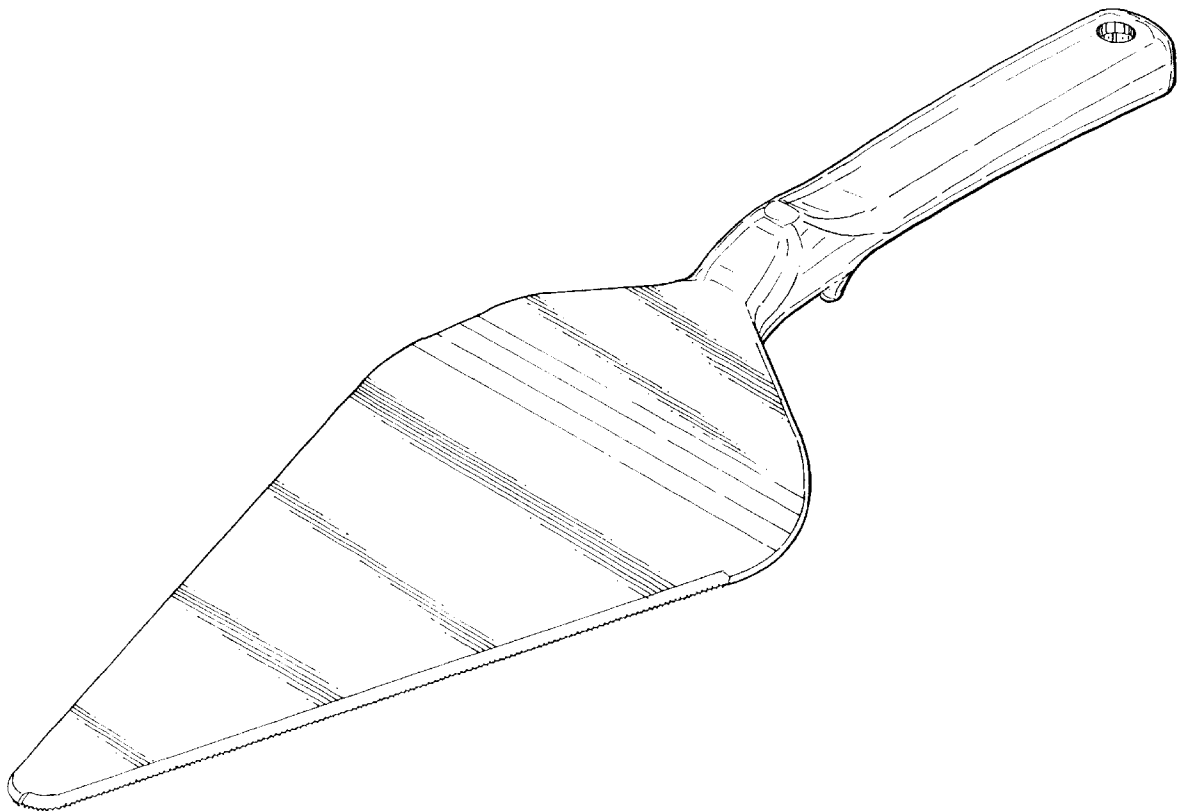
4,569,130 A \* 2/1986 Koller et al. .... 294/7 X

FIG. 7 is a detail of the front edge thereof.

D292,663 S \* 11/1987 Johnson ..... D7/691

**1 Claim, 4 Drawing Sheets**

4,877,609 A \* 10/1989 Beck et al. .... 294/7 X



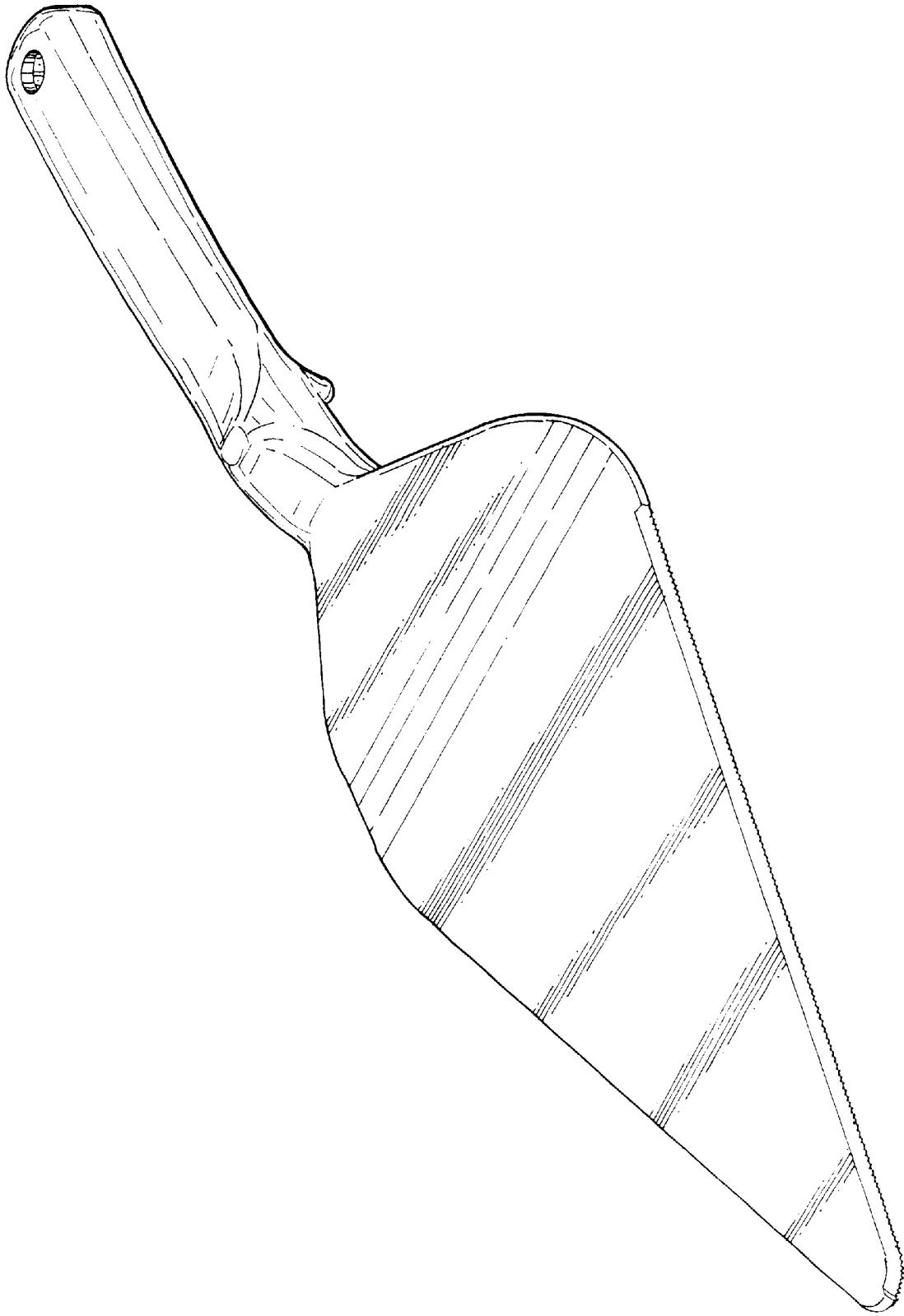


Fig. 1

Fig. 2

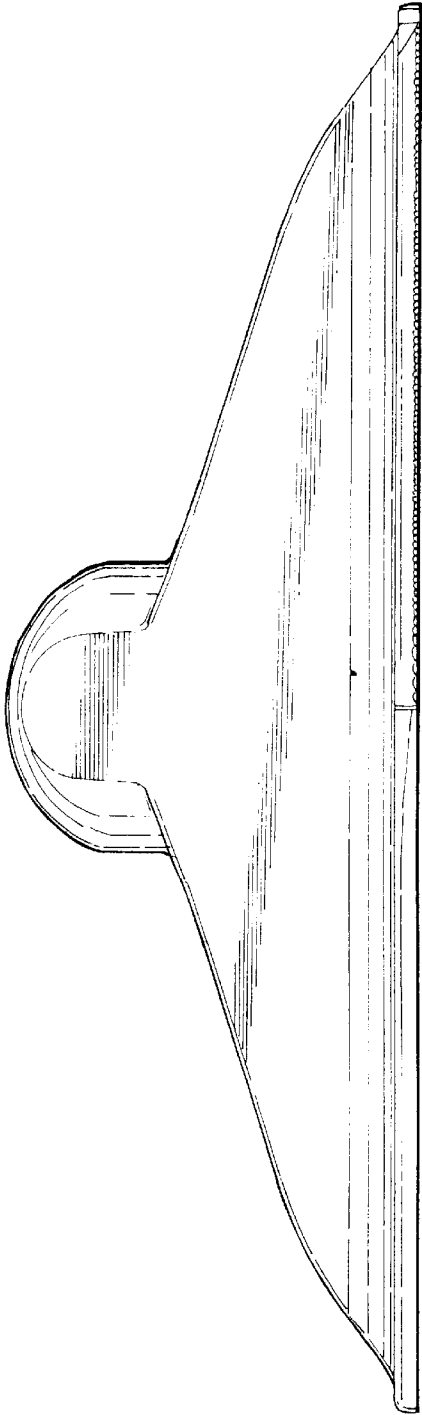


Fig. 3

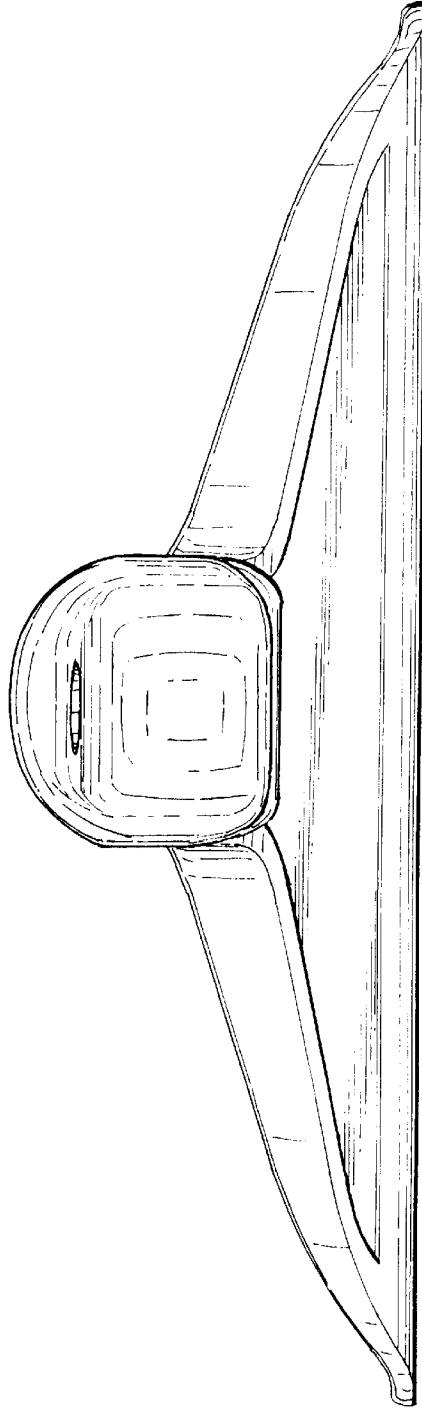
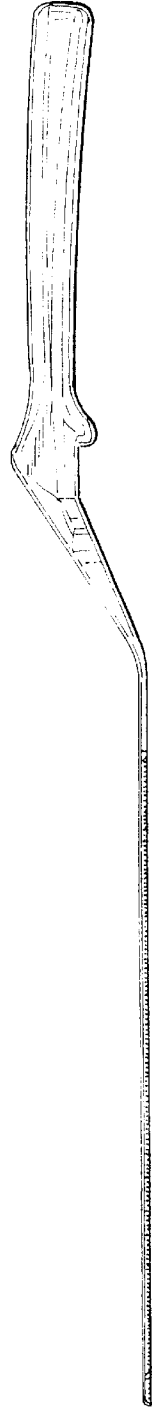


Fig. 4



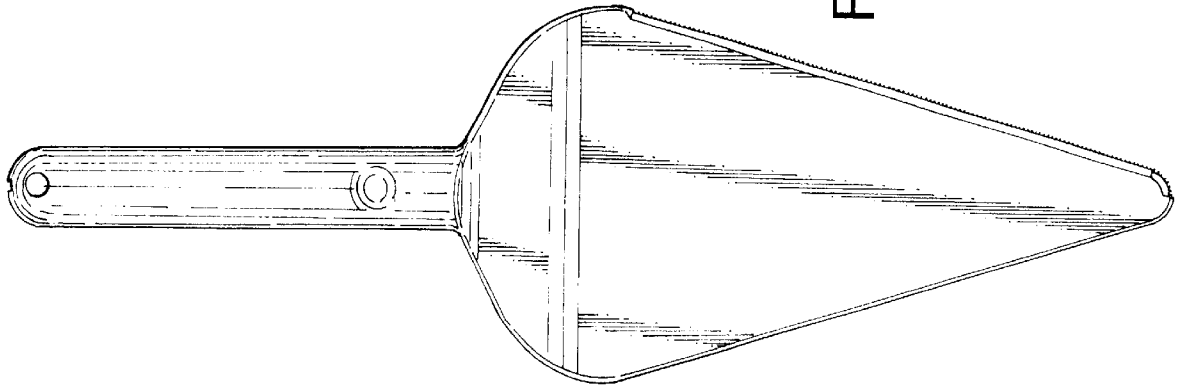


Fig. 6

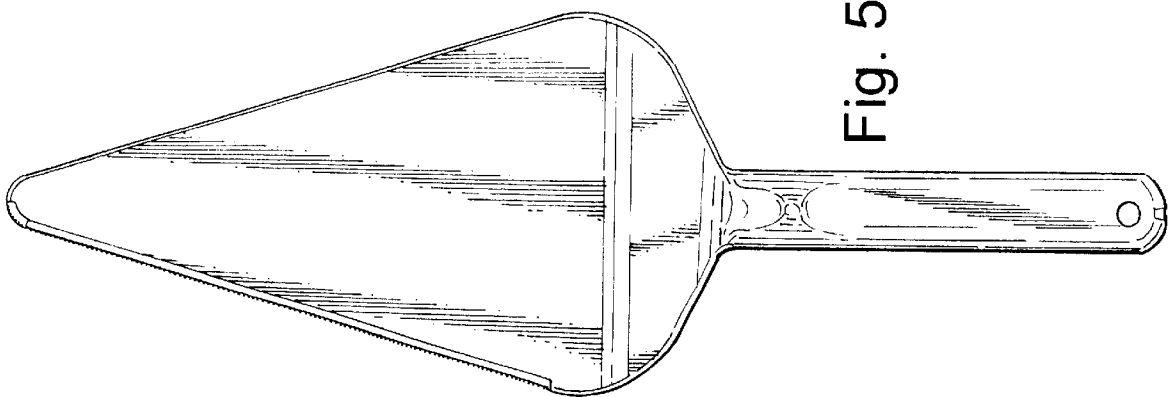


Fig. 5

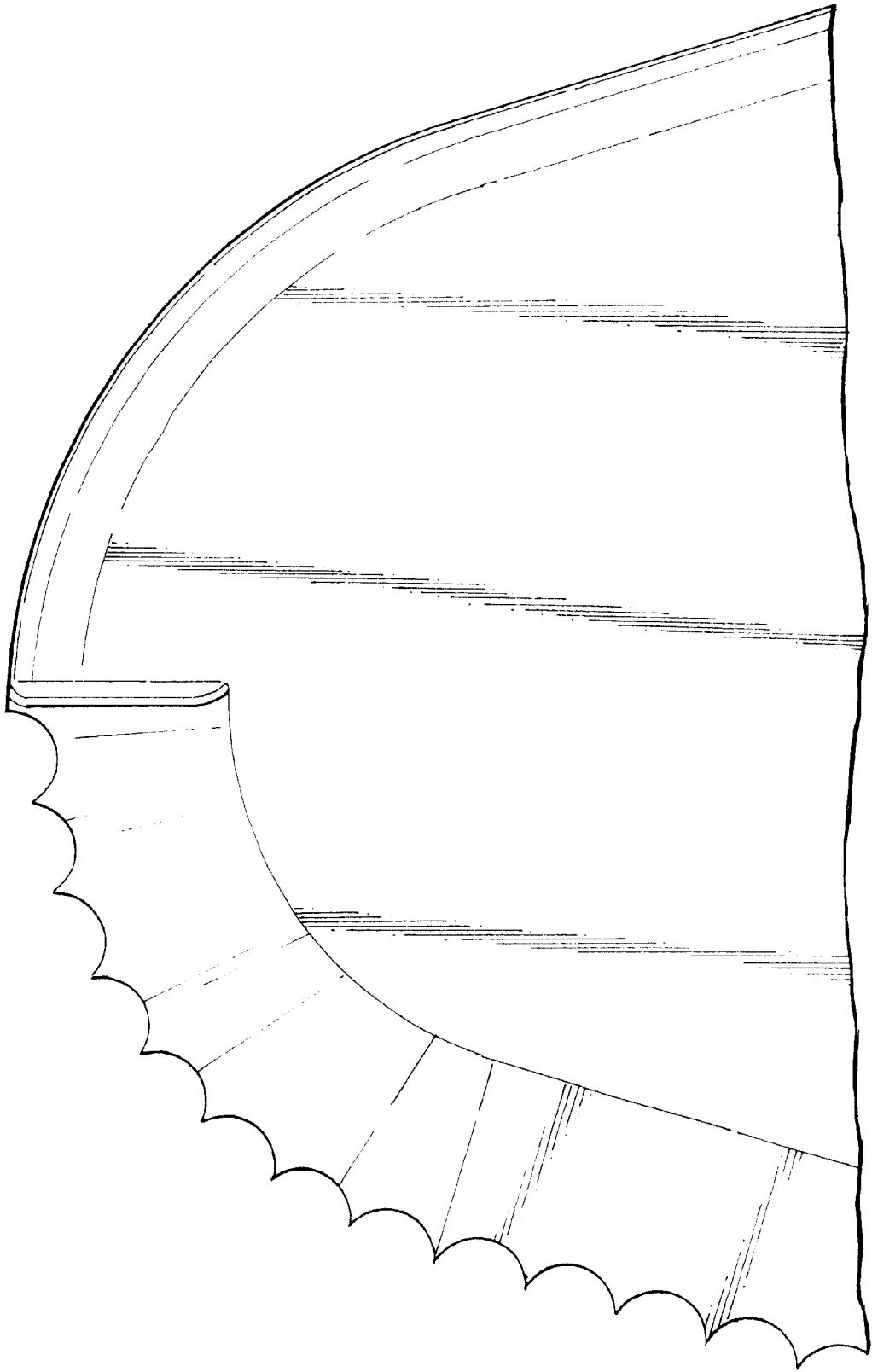


Fig. 7